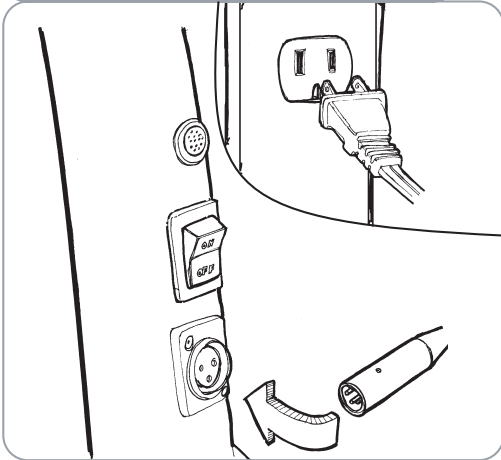


scooter QuickStart guide

refer to owners manual for complete assembly instructions

● charge before first use

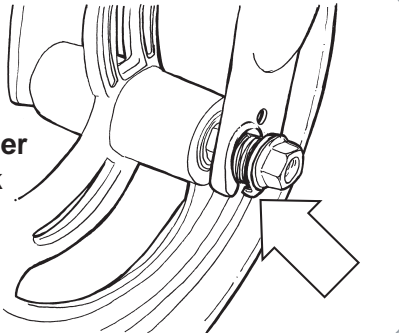


re-charge immediately after each use

● front wheel assembly

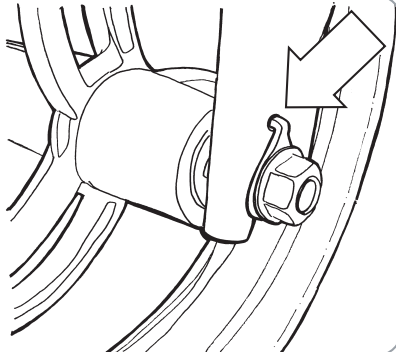
1

safety washer outside fork



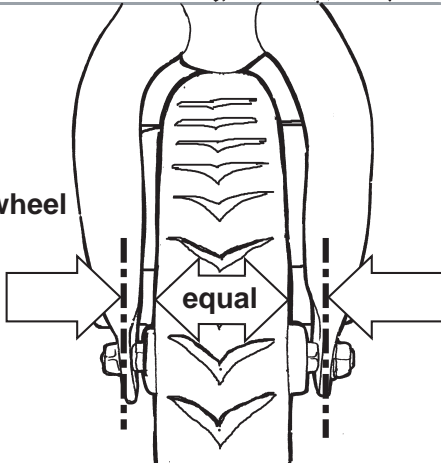
2

safety washer into fork hole



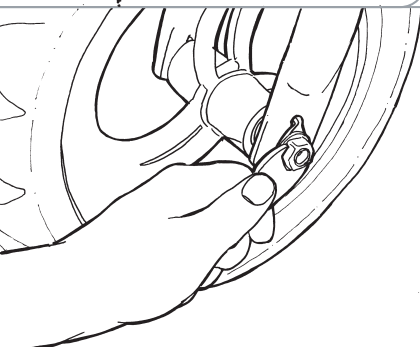
3

center wheel



4

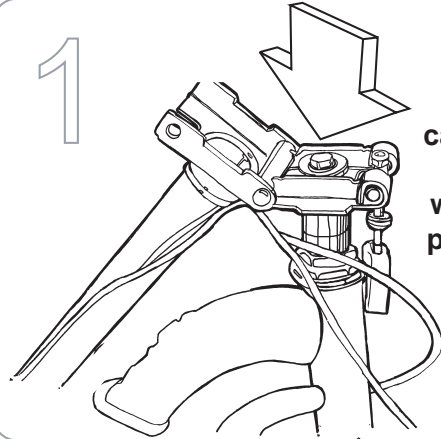
securely tighten axle nuts on both sides



● handlebar assembly

1

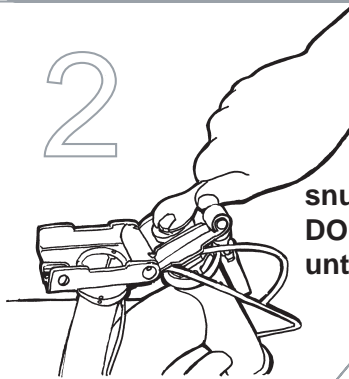
carefully insert handlebar while avoiding pinching cable or wires



2

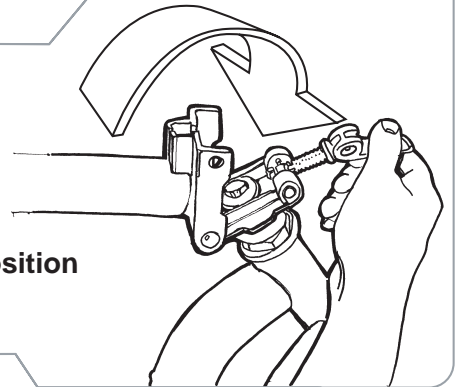
with supplied wrench

snug stem bolt
DO NOT FULLY TIGHTEN until step #6



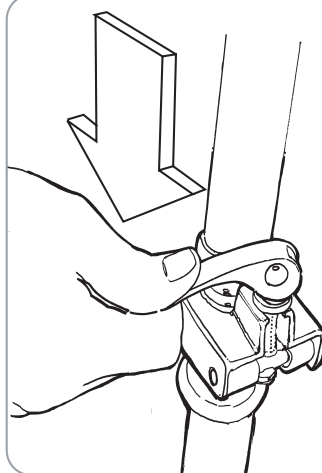
3

put in upright position



4

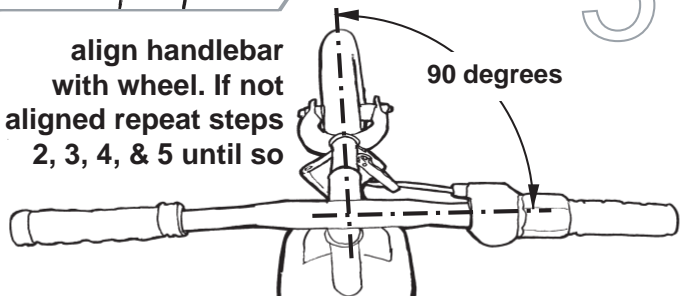
securely lock quick release



5

align handlebar with wheel. If not aligned repeat steps 2, 3, 4, & 5 until so

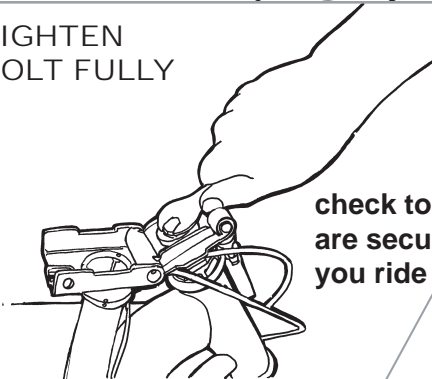
90 degrees



TIGHTEN BOLT FULLY

6

check to insure bars are secure before you ride



BORPTE